

AGS 0009873004

August 05, 2008

Shape and Style **Square Modified Brilliant**

Measurements: 3.67 x 3.60 x 2.79 mm

Cut Grade **AGS Ideal 0**

Color Grade **AGS 0.5 (E)**

Clarity Grade **AGS 4 (VS2)**

Carat Weight **0.300 cts.**

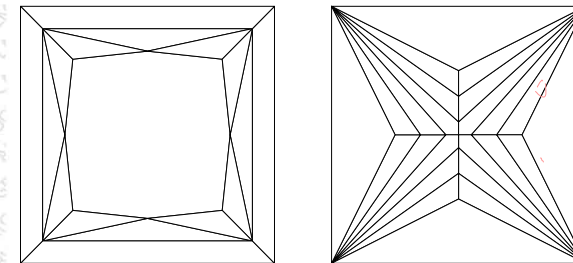
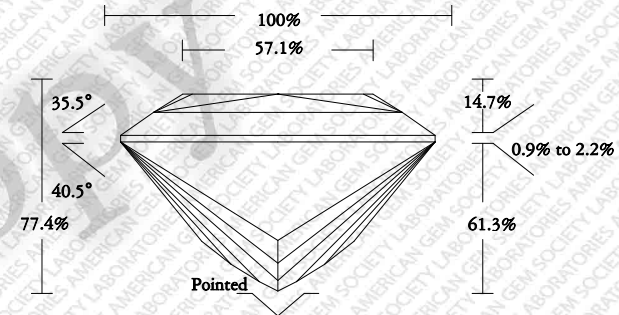
Comments

Fluorescence: Negligible  
"AGSL 9873004" has been inscribed on the girdle of this diamond.

IMPORTANT NOTICE:

All three quality factors of Cut, Color, and Clarity can dramatically affect the beauty and value of a diamond. Because of cutting, diamonds with the same color and clarity grades can vary in value by as much as 50% or more. Therefore, it is advisable to consult a Certified Gemologist® or other credentialed gemologist, before purchasing this Diamond.

THIS DOCUMENT IS NOT A WARRANTY, GUARANTEE, OR APPRAISAL OF VALUE.



Key to Symbols

Feather



PLOT INFORMATION: The Clarity grade is diagrammed using the clarity symbols contained in the AGS Diamond Standards Manual. Red marks indicate inclusions; green marks indicate external blemishes.

Cut Scale	0			1			2			3			4			5			6			7			8			9			10		
	AGS Ideal			AGS Excellent			AGS Very Good			AGS Good			AGS Fair			AGS Fair			AGS Fair			AGS Fair			AGS Fair			AGS Poor					
Color Scale	0	0.5	1.0	1.5	2.0	2.5	3.0	3.5	4.0	4.5	5.0	5.5	6.0	6.5	7.0	7.5	8.0	8.5	9.0	9.5	10.0	To	Fancy Yellow										
	D	E	F	G	H	I	J	K	L	M	N	O	P	Q	R	S	T	U	V	W	X	Y	Z	Fancy Yellow									
	COLORLESS			NEAR COLORLESS			FAINT			VERY LIGHT			LIGHT																				
Clarity Scale	0			1			2			3			4			5			6			7			8			9			10		
	FLAWLESS / IF			VVS1			VVS2			VS1			VS2			SI1			SI2			I1			I2			I3					