



Setting  
the  
Highest  
Standard  
for  
Diamond  
Grading™

AMERICAN GEM SOCIETY LABORATORIES®

AGS 104057923002

April 03, 2012

**Shape and Style** Square Modified Brilliant

**Measurements:** 6.45 x 6.31 x 4.88 mm

**Cut Grade** AGS Ideal 0

**Color Grade** AGS 1.0 (F)

**Clarity Grade** AGS 6 (SI2)

**Carat Weight** 1.626 cts.

**Comments**

Fluorescence: Negligible  
"AGSL 104057923002" has been inscribed on the girdle of this diamond.  
Clouds are not shown.

# Diamond Quality™ Document

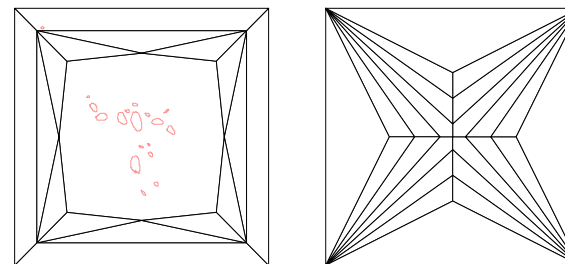
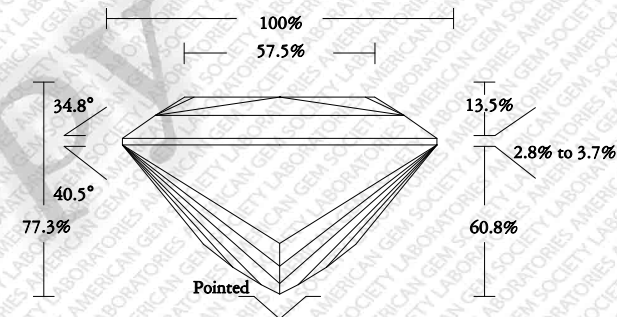
Square Modified Brilliant  
1.626 cts.

Light Performance 0  
Proportion Factors 0  
Finish 0  
Polish Ideal  
Symmetry Ideal

*Performance-Based*

**IMPORTANT NOTICE:**

All three quality factors of Cut, Color, and Clarity can dramatically affect the beauty and value of a diamond. Because of cutting, diamonds with the same color and clarity grades can vary in value by as much as 50% or more. Therefore, it is advisable to consult a Certified Gemologist® or other credentialed gemologist, before purchasing this Diamond.



**THIS DOCUMENT IS NOT A WARRANTY, GUARANTEE, OR APPRAISAL OF VALUE.**

**Key to Symbols**

Crystal



**PLOT INFORMATION:** The Clarity grade is diagrammed using the clarity symbols contained in the AGS Diamond Standards Manual. Red marks indicate inclusions; green marks indicate external blemishes.

|               |               |               |               |                |     |          |       |     |          |            |     |     |       |     |     |     |     |     |     |     |      |    |              |              |
|---------------|---------------|---------------|---------------|----------------|-----|----------|-------|-----|----------|------------|-----|-----|-------|-----|-----|-----|-----|-----|-----|-----|------|----|--------------|--------------|
| Cut Scale     | 0             | 1             | 2             | 3              | 4   | 5        | 6     | 7   | 8        | 9          | 10  |     |       |     |     |     |     |     |     |     |      |    |              |              |
|               | AGS Ideal     | AGS Excellent | AGS Very Good | AGS Good       |     | AGS Fair |       |     | AGS Poor |            |     |     |       |     |     |     |     |     |     |     |      |    |              |              |
| Color Scale   | 0             | 0.5           | 1.0           | 1.5            | 2.0 | 2.5      | 3.0   | 3.5 | 4.0      | 4.5        | 5.0 | 5.5 | 6.0   | 6.5 | 7.0 | 7.5 | 8.0 | 8.5 | 9.0 | 9.5 | 10.0 | To | Fancy Yellow |              |
|               | D             | E             | F             | G              | H   | I        | J     | K   | L        | M          | N   | O   | P     | Q   | R   | S   | T   | U   | V   | W   | X    | Y  | Z            | Fancy Yellow |
|               | COLORLESS     |               |               | NEAR COLORLESS |     |          | FAINT |     |          | VERY LIGHT |     |     | LIGHT |     |     |     |     |     |     |     |      |    |              |              |
| Clarity Scale | 0             | 1             | 2             | 3              | 4   | 5        | 6     | 7   | 8        | 9          | 10  |     |       |     |     |     |     |     |     |     |      |    |              |              |
|               | FLAWLESS / IF | VVS1          | VVS2          | VS1            | VS2 | SI1      | SI2   | I1  | I2       | I3         |     |     |       |     |     |     |     |     |     |     |      |    |              |              |