

AGS 0010151004

December 15, 2008

| | |
|------------------------|----------------------------------|
| Shape and Style | Square Modified Brilliant |
| Measurements: | 3.71 x 3.67 x 2.81 mm |
| Cut Grade | AGS Ideal 0 |
| Color Grade | AGS 1.0 (F) |
| Clarity Grade | AGS 3 (VS1) |
| Carat Weight | 0.312 cts. |

Comments

Fluorescence: Negligible
"AGSL 10151004" has been inscribed on the girdle of this diamond.
Additional pinpoints are not shown.

Diamond Quality™ Document

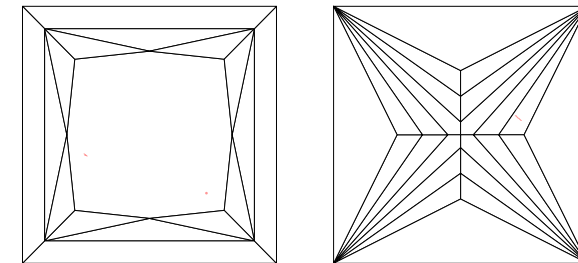
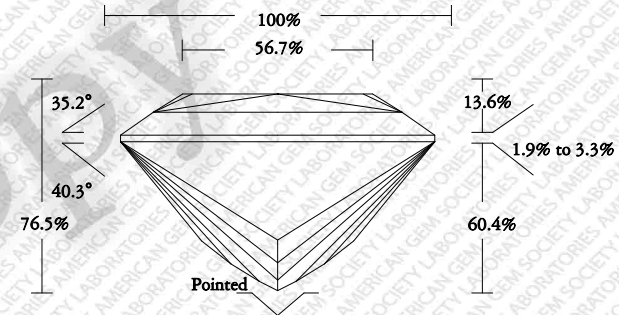
Square Modified Brilliant
0.312 cts.

| | |
|--------------------|-------|
| Light Performance | 0 |
| Proportion Factors | 0 |
| Finish | 0 |
| Polish | Ideal |
| Symmetry | Ideal |

Performance-Based

IMPORTANT NOTICE:

All three quality factors of Cut, Color, and Clarity can dramatically affect the beauty and value of a diamond. Because of cutting, diamonds with the same color and clarity grades can vary in value by as much as 50% or more. Therefore, it is advisable to consult a Certified Gemologist® or other credentialed gemologist, before purchasing this Diamond.



THIS DOCUMENT IS NOT A WARRANTY, GUARANTEE, OR APPRAISAL OF VALUE.

Key to Symbols

- Feather
- Needle
- Pinpoint



PLOT INFORMATION: The Clarity grade is diagrammed using the clarity symbols contained in the *AGS Diamond Standards Manual*. Red marks indicate inclusions; green marks indicate external blemishes.

| | | | | | | | | | | | | | | | | | | | | | | | | |
|----------------------|---------------|---------------|---------------|----------------|-----|-----|----------|-------|-----|----------|------------|-----|-----|-----|-------|-----|-----|-----|-----|-----|------|----|--------------|--------------|
| Cut Scale | 0 | 1 | 2 | 3 | 4 | 5 | 6 | 7 | 8 | 9 | 10 | | | | | | | | | | | | | |
| | AGS Ideal | AGS Excellent | AGS Very Good | AGS Good | | | AGS Fair | | | AGS Poor | | | | | | | | | | | | | | |
| Color Scale | 0 | 0.5 | 1.0 | 1.5 | 2.0 | 2.5 | 3.0 | 3.5 | 4.0 | 4.5 | 5.0 | 5.5 | 6.0 | 6.5 | 7.0 | 7.5 | 8.0 | 8.5 | 9.0 | 9.5 | 10.0 | To | Fancy Yellow | |
| | D | E | F | G | H | I | J | K | L | M | N | O | P | Q | R | S | T | U | V | W | X | Y | Z | Fancy Yellow |
| | COLORLESS | | | NEAR COLORLESS | | | | FAINT | | | VERY LIGHT | | | | LIGHT | | | | | | | | | |
| Clarity Scale | 0 | 1 | 2 | 3 | 4 | 5 | 6 | 7 | 8 | 9 | 10 | | | | | | | | | | | | | |
| | FLAWLESS / IF | VVS1 | VVS2 | VS1 | VS2 | SI1 | SI2 | | I1 | I2 | I3 | | | | | | | | | | | | | |