



Setting
the
Highest
Standard
for
Diamond
Grading™

AMERICAN GEM SOCIETY LABORATORIES®

AGS 104065510023

June 17, 2013

Shape and Style Square Modified Brilliant

Measurements: 5.48 x 5.44 x 4.10 mm

Cut Grade AGS Ideal 0

Color Grade AGS 1.0 (F)

Clarity Grade AGS 4 (VS2)

Carat Weight 1.004 cts.

Comments

Fluorescence: Negligible
"AGSL 104065510023" has been inscribed on the girdle of this diamond.

Diamond Quality™ Document

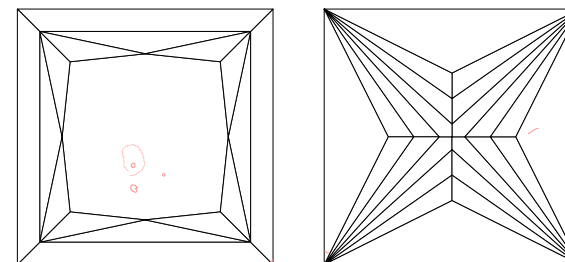
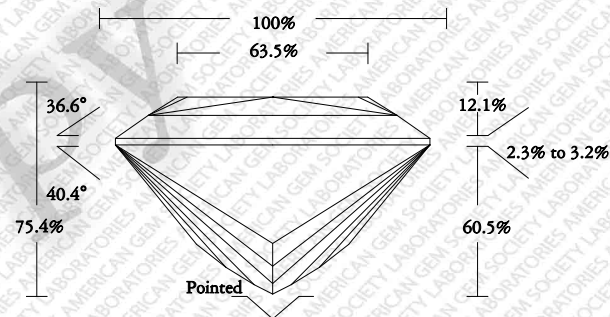
Square Modified Brilliant
1.004 cts.

Light Performance 0
Proportion Factors 0
Finish 0
Polish Ideal
Symmetry Ideal

Performance-Based

IMPORTANT NOTICE:

All three quality factors of Cut, Color, and Clarity can dramatically affect the beauty and value of a diamond. Because of cutting, diamonds with the same color and clarity grades can vary in value by as much as 50% or more. Therefore, it is advisable to consult a Certified Gemologist® or other credentialed gemologist, before purchasing this Diamond.



THIS DOCUMENT IS NOT A WARRANTY, GUARANTEE, OR APPRAISAL OF VALUE.

Key to Symbols

- Crystal
- Cloud
- Feather



PLOT INFORMATION: The Clarity grade is diagrammed using the clarity symbols contained in the *AGS Diamond Standards Manual*. Red marks indicate inclusions; green marks indicate external blemishes.

Cut Scale	0	1	2	3	4	5	6	7	8	9	10													
	AGS Ideal	AGS Excellent	AGS Very Good	AGS Good		AGS Fair			AGS Poor															
Color Scale	0	0.5	1.0	1.5	2.0	2.5	3.0	3.5	4.0	4.5	5.0	5.5	6.0	6.5	7.0	7.5	8.0	8.5	9.0	9.5	10.0	To	Fancy Yellow	
	D	E	F	G	H	I	J	K	L	M	N	O	P	Q	R	S	T	U	V	W	X	Y	Z	Fancy Yellow
	COLORLESS			NEAR COLORLESS			FAINT			VERY LIGHT			LIGHT											
Clarity Scale	0	1	2	3	4	5	6	7	8	9	10													
	FLAWLESS / IF	VVS1	VVS2	VS1	VS2	S11	S12	I1	I2	I3														